

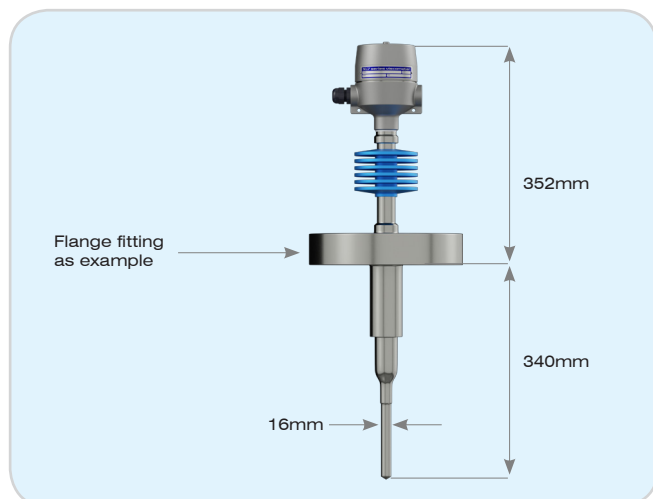
XL7-D16

melt pipe viscometer

innovators in fluid measurement

Hydramotion

- ▶ **real-time polymer melt viscosity**
- ▶ **no flow disruption - no dead spaces**
- ▶ **retrofit existing melt equipment**
- ▶ **no moving parts - no maintenance**



SPECIFICATION

Viscosity range	0 – 10 ⁸ Pa·s
Measurement time	1 second
Accuracy	1% of reading or ± 1 digit
Repeatability	0.3% of reading or ± 1 digit
Temperature range	400°C
Pressure rating	to process fitting
Process fitting	all melt pipe fittings
Cable length	as required - up to 1000m
Cable type	standard instrument cable
Power supply	powered by signal processor (24v DC)
Safety certification	Safe area only
Construction	all-welded, crevice-free
Sensor Materials	fitting: as required sensor: SS316 and SS316L (EN 1.4401/1.4404) * (optional: alloy C22, alloy C276, S32750, Alloy 718)
Surface finish	standard: N6 0.8 Ra
Finish options	non-standard finish options and coatings to order *
Ingress protection	IP67
Software	ViscoLink data viewing and logging package (Windows-based for PC)

Nelson Systems ADVANCED VISCOSITY SOLUTIONS

11327 Reid Place
Grass Valley, CA 95945 USA
Tel: 530-272-7956
Fax: 530-460-1915

sales@nelsontech.com
www.sys.nelsontech.com

* Custom variations to specification available to order