

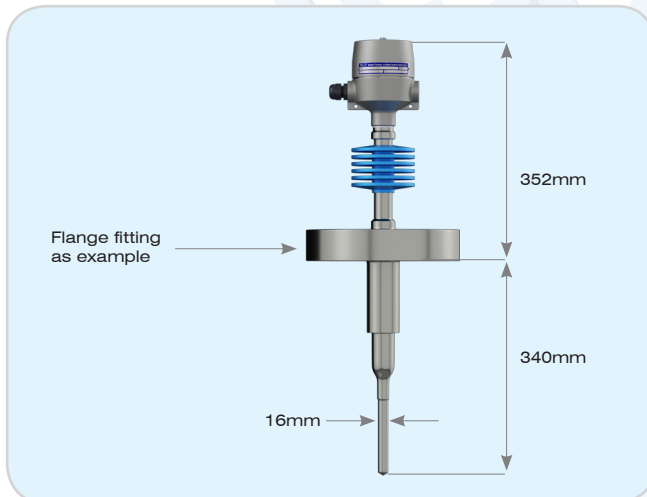
# XL7-D16

## melt pipe viscometer

innovators in fluid measurement

**Hydramotion**

- ▶ **real-time polymer melt viscosity**
- ▶ **no flow disruption - no dead spaces**
- ▶ **retrofit existing melt equipment**
- ▶ **no moving parts - no maintenance**



## SPECIFICATION

Viscosity range	0 – 10 <sup>8</sup> Pa·s
Measurement time	1 second
Accuracy	1% of reading or ± 1 digit
Repeatability	0.3% of reading or ± 1 digit
Temperature range	400°C
Pressure rating	to process fitting
Process fitting	all melt pipe fittings
Cable length	as required - up to 1000m
Cable type	standard instrument cable
Power supply	powered by signal processor (24v DC)
Safety certification	hazardous area, Ga Ex ia IIC T1...T6
Construction	all-welded, crevice-free
Sensor Materials	fitting: as required sensor: SS316 and SS316L (EN 1.4401/1.4404) * (optional: alloy C22, alloy C276, S32750, Alloy 718)
Surface finish	standard: N6 0.8 Ra
Finish options	non-standard finish options and coatings to order *
Ingress protection	IP67
Software	ViscoLink data viewing and logging package (Windows-based for PC)

### **Nelson Systems** ADVANCED VISCOSITY SOLUTIONS

11327 Reid Place  
Grass Valley, CA 95945 USA  
Tel: 530-272-7956  
Fax: 530-460-1915

[sales@nelsontech.com](mailto:sales@nelsontech.com)  
[www.sys.nelsontech.com](http://www.sys.nelsontech.com)

\* Custom variations to specification available to order