

THRUVISC

TV5-701-D6-TT flow-through viscometer

0.1 cP or 1%
ACCURACY

5 - 12 mm (0.2 - 0.5 ins)
BORE

100 bar (1500 psi)
PRESSURE

Small bore solution

The ThruVisc is the perfect solution for measuring viscosity in small-bore pipes and tubes. Each viscometer in the range has a completely clear bore, ideal for sanitary applications or any situation where there is risk of contamination.

The sensor also has all the benefits of every Hydramotion viscometer: high accuracy, no moving parts, negligible maintenance, and a robust construction to withstand harsh duty and high pressure.



Clear bore

The seamless flow-tube at the heart of the ThruVisc presents a clear uninterrupted pathway for the liquid with no hiding place for trapped fluid. This makes it compatible with pigging systems, as often used with inks and coatings, where contamination from residual fluid in the system cannot be tolerated.



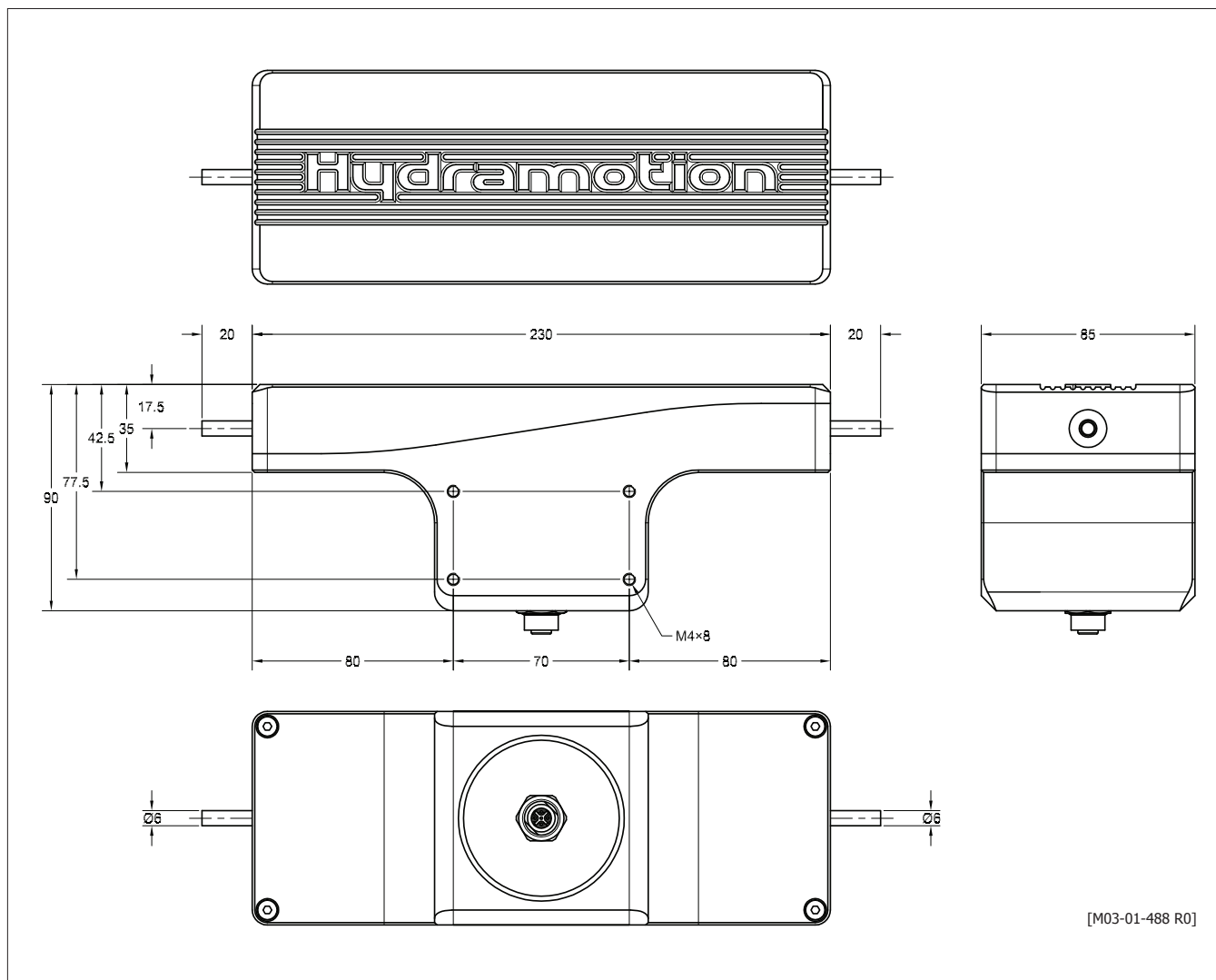
ThruVisc in use

The compact sensor is not affected by flow, orientation or bubbles, and can be located anywhere in the system. It is available with a wide choice of tube/pipe fittings. Wetted material is 316 stainless steel as standard with options for C276 and C22 alloys.

ThruViscs connect with all VP processors, giving options for either simple single installation or complete integration with any plant-wide control system.

TV5-701-D6-TT-P1-0415

flow-through viscometer



Specification

Viscosity accuracy	1% of reading + 0.1 cP
Viscosity repeatability	0.3% of reading
Viscosity range	0 - 1000 cP
Temperature range (sensor)	-50 °C - +100 °C
Maximum operating pressure	100 bar
Inlet/outlet connections	6mm Swagelok® tube fitting
Weight	1.3 kg approx.
Materials	Body — Al alloy Sensor tube — 316 stainless steel or other materials as required
Environmental Rating	IP65
Safety certification	Safe Area
Signal processor connection	4-way M12 threaded socket